

**SUNDY**

**PAR56 SWIMMING  
POOL LIGHT**



**CE**  **ERP IP68**

**SHENZHEN SUNDY LIGHTING CO., LTD.**

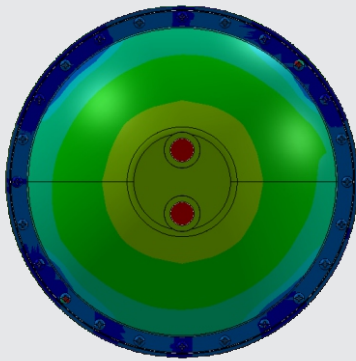


# OVERVIEW

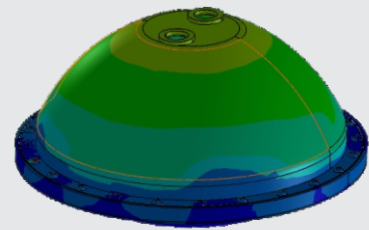
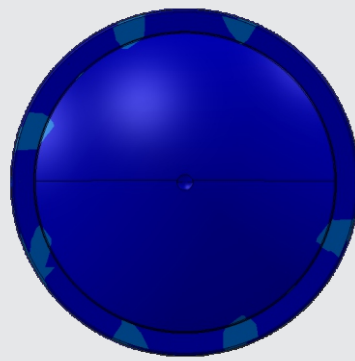


## THERMAL MANAGEMENT

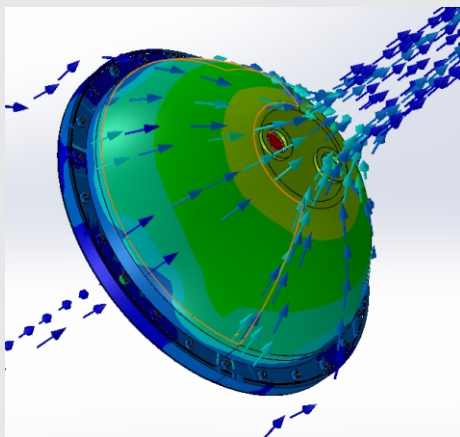
Structure is optimized by advanced FEA technology. Achieving longer lifespan at bestcost-efficiency.



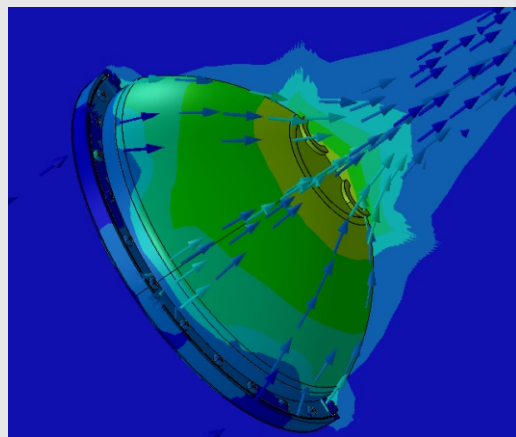
Thermal Conductivity



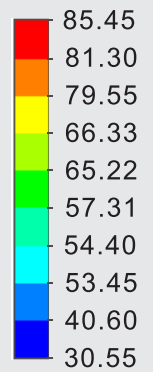
Thermal Conductivity



Thermal Convection



Thermal Effects to Air



Unit : °C

**EXPLODED**

316 Stainless steel screws

V4A/316 Stainless Steel housing

Screw terminal

High lumen SMD Light source

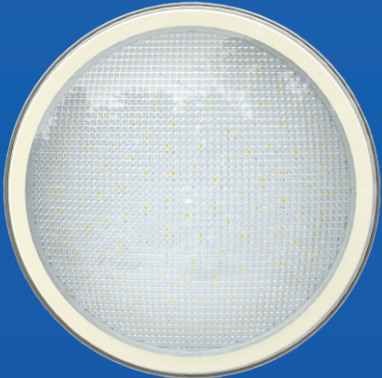
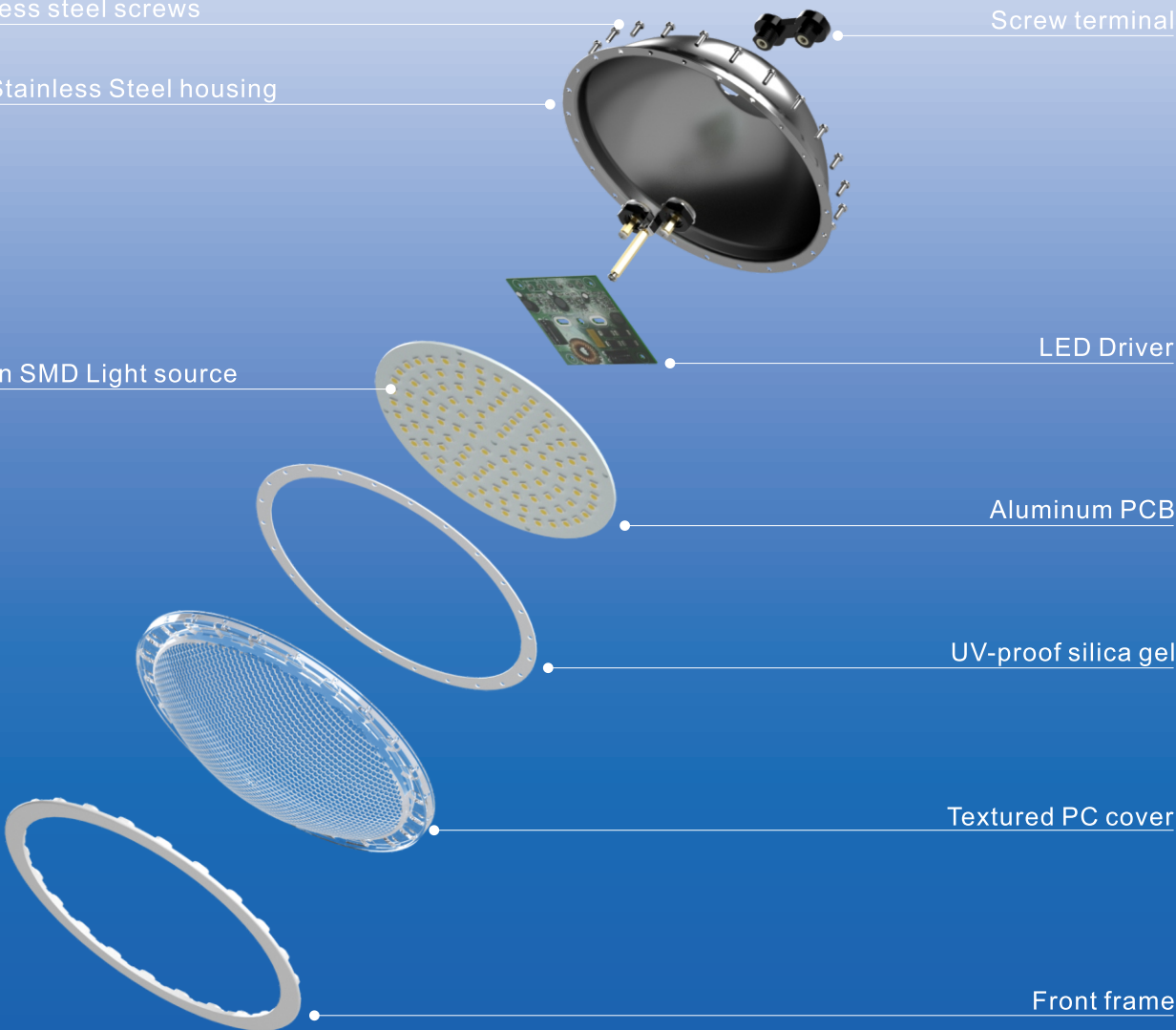
LED Driver

Aluminum PCB

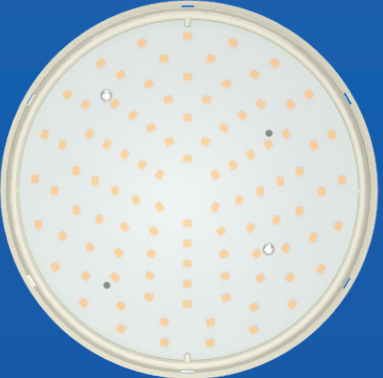
UV-proof silica gel

Textured PC cover

Front frame



ABS PAR56



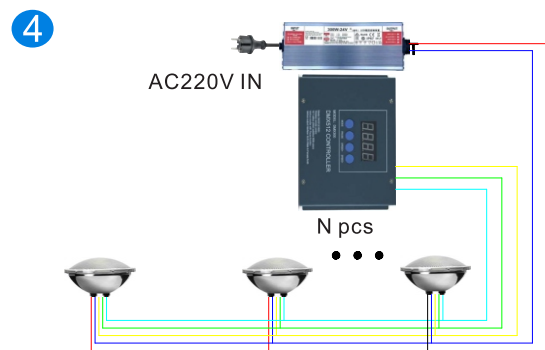
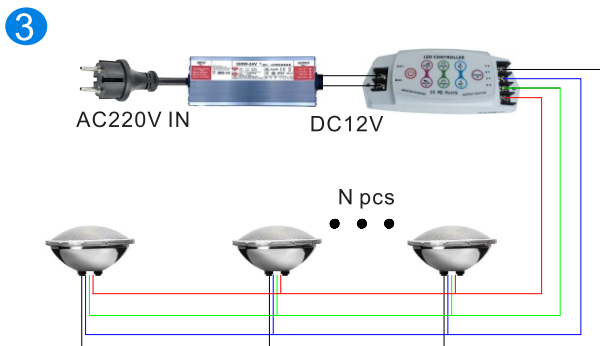
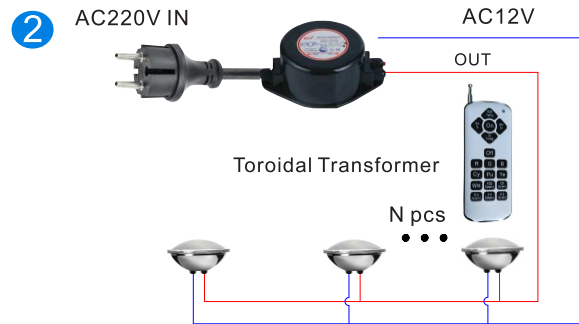
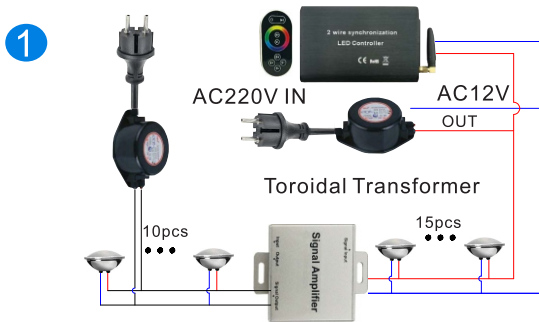
Flat PAR56



V4A/316 Stainless Steel PAR56

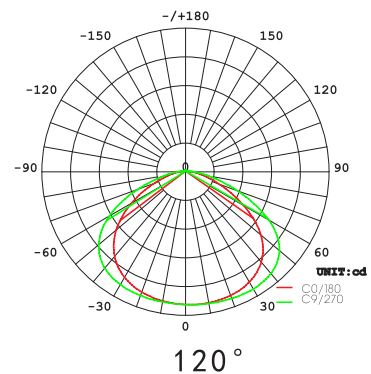
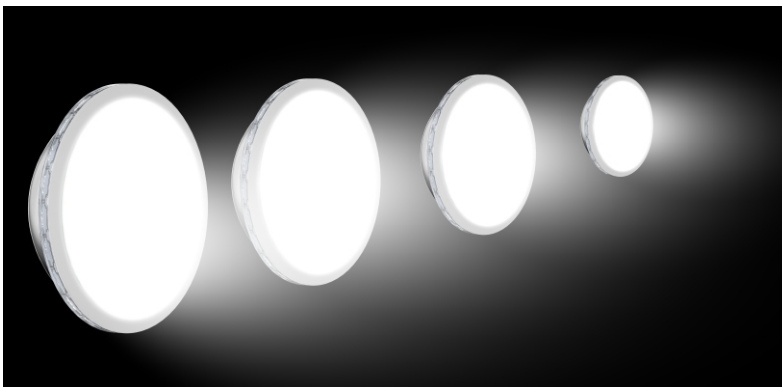
## CONTROL METHODS

- 100% synchronization(2-wire connection): color changing with RGB/RGBW/RGBWW controller or remote.  
Max can be 100m 100% synchronization for color and speed changing.
- Remote and Switch control(2-wire connection): RGB/RGBW/RGBWW color changing with RF remote or switch(switch on/off), every lamp with remote.
- External control(4/5/6 wire connection): color changing with external RGB/RGBW/RGBWW controller or remote or Android/iOS system smart phone.
- DMX Control: color changing with external DMX decoder.

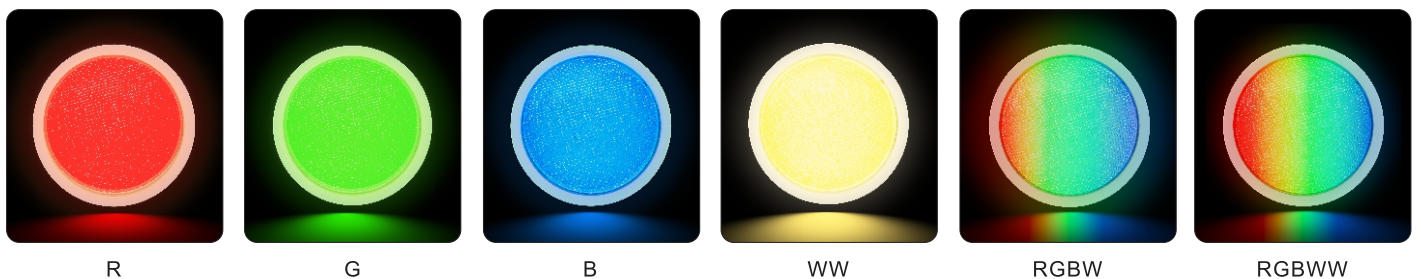


## OPTICS

Tech.Support: Tell us the Pool length, width, height and the usage. We have engineer team to respond the DIALUX simulations for lights quantity calculation and effects. ies



## BEAMCOLOR



R

G

B

WW

RGBW

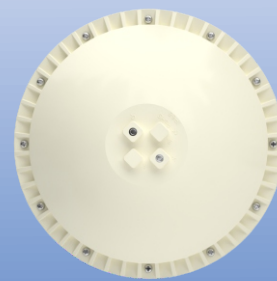
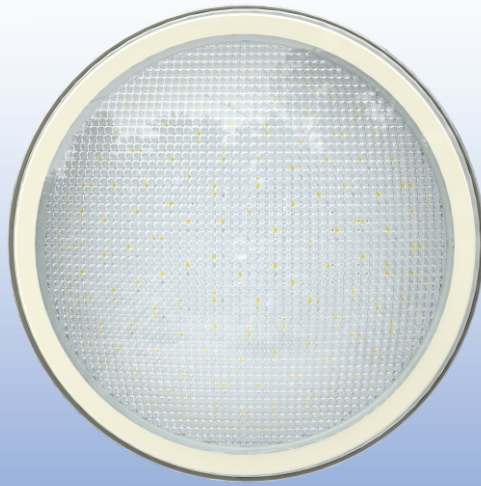
RGBWW



# PAR56 SWIMMING POOL LIGHT

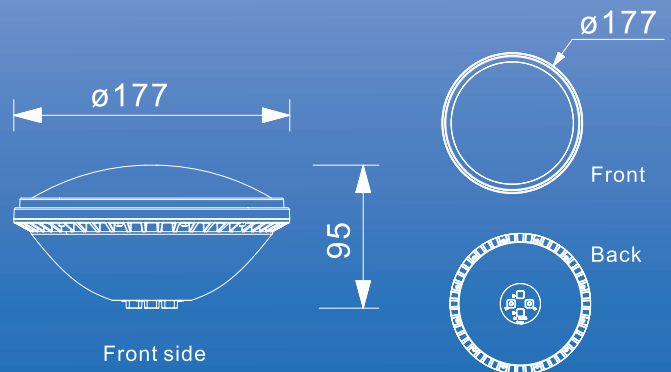
Patent No.: 201730344633.9

ABS >>>



## FEATURE

- ◆ Patented design-privdte tooling/mould
- ◆ ABS
- ◆ Structural IP68 Waterproof
- ◆ Size - 177\*95mm
- ◆ RGB/RGBW/RGBWW synchronization
- ◆ Single color RGB/RGBW/RGBWW
- ◆ Remote/WIFI/DMX control applicable

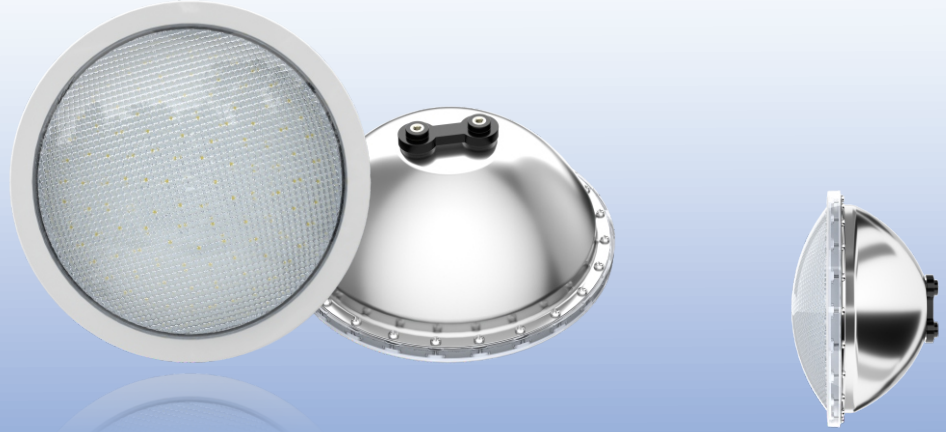


Model No.	Power	Voltage	Luminous Flux	LED Type	Color
SP56-18W-A (S5RGBWW)	18±1W	12V AC/DC	950±10%LM	RGBWW 5in1	RGBWW
SP56-18X4W-A	25±1W	12V AC/DC	1150±10%LM	RGBW 4in1	RGBW
SP56-15W-A (S5RGBW)	15±1W	12V AC/DC	750±10%LM	RGBW 4in1	RGBW
SP56-18X3W-A	25±1W	12V AC/DC	1400±10%LM	RGB 3in1	White/RGB
SP56-18X1W-A	18±1W	12V AC/DC	750±10%LM	High Power LED	White/RGB
SP56-120S5-A	18±1W	12V AC/DC	1920±10%LM	SMD5050	White/RGB
SP56-20W-A	20±1W	12V AC/DC	2200±10%LM	SMD3030	White
SP56-12W-A	12±1W	12V AC/DC	1300±10%LM	SMD3030	White
SP56-18W-A (C5)	18±1W	12V AC/DC	1920±10%LM	CREE 5050	White
SP56-18W-A (S5)	18±1W	12V AC/DC	1920±10%LM	SMD5050	Dual CCT

# PAR56 SWIMMING POOL LIGHT

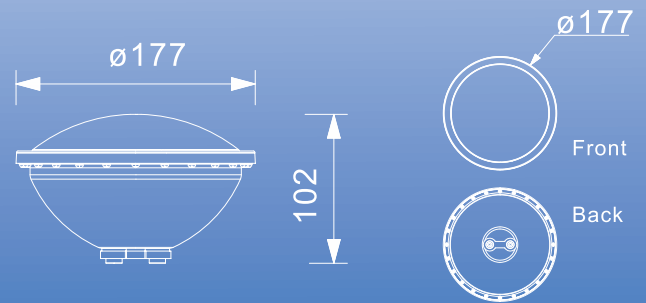
316/V4A Stainless Steel >>>

Patent No.: 201730344109.1



## FEATURE

- ◆ Patented design-privdte tooling/mould
- ◆ 316/V4A Stainless Steel
- ◆ IP68 - Epoxy/resIn sealing
- ◆ Size - 177\*102mm
- ◆ RGB/RGBW/RGBWW synchronization
- ◆ Single color RGB/RGBW/RGBWW
- ◆ Remote/WIFI/DMX control applicable



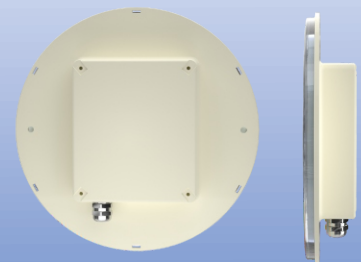
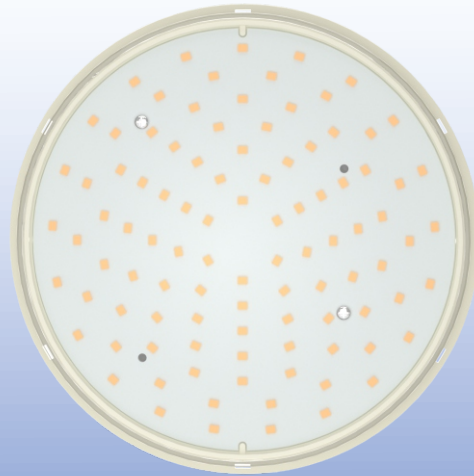
Model No.	Power	Voltage	Luminous Flux	LED Type	Color
SP56-30W-S (S5RGBWW)	30±1W	12V AC/DC	1430±10%LM	RGBWW 5in1	RGBWW
SP56-18W-S(S5RGBWW)	18±1W	12V AC/DC	950±10%LM	RGBWW 5in1	RGBWW
SP56-18X4W-S	30±1W	12V AC/DC	1300±10%LM	RGBW 4in1	RGBW
SP56-15W-S(S5RGBW)	15±1W	12V AC/DC	750±10%LM	RGBW 4in1	RGBW
SP56-18X3W-S	25±1W	12V AC/DC	1400±10%LM	RGB 3in1	White/RGB
SP56-18X1W-S	18±1W	12V AC/DC	750±10%LM	High Power LED	White/RGB
SP56-120S5-S	18±1W	12V AC/DC	1920±10%LM	SMD5050	White/RGB
SP56-70W-S	70±1W	12V AC/DC	8120±10%LM	SMD3030	White
SP56-35W-S	35±1W	12V AC/DC	3950±10%LM	SMD3030	White
SP56-20W-S	20±1W	12V AC/DC	2200±10%LM	SMD3030	White
SP56-12W-S	12±1W	12V AC/DC	1300±10%LM	SMD5730	White
SP56-18W-S(C5)	18±1W	12V AC/DC	1920±10%LM	CREE 5050	White
SP56-35W-S(C5)	35±1W	12V AC/DC	3950±10%LM	CREE 5050	White
SP56-18W-S(S5)	18±1W	12V AC/DC	1920±10%LM	SMD5050	Dual CCT
SP56-35W-S(S3)	35±1W	12V AC/DC	3950±10%LM	SMD3030	Dual CCT



# PAR56 SWIMMING POOL LIGHT

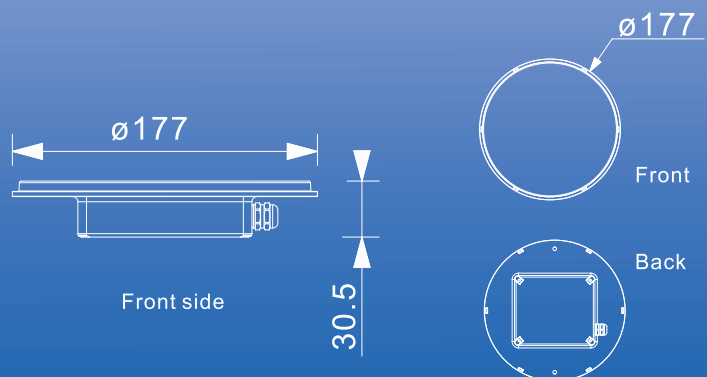
Flat design-resin filled >>>

Patent No.: 201730622915.0



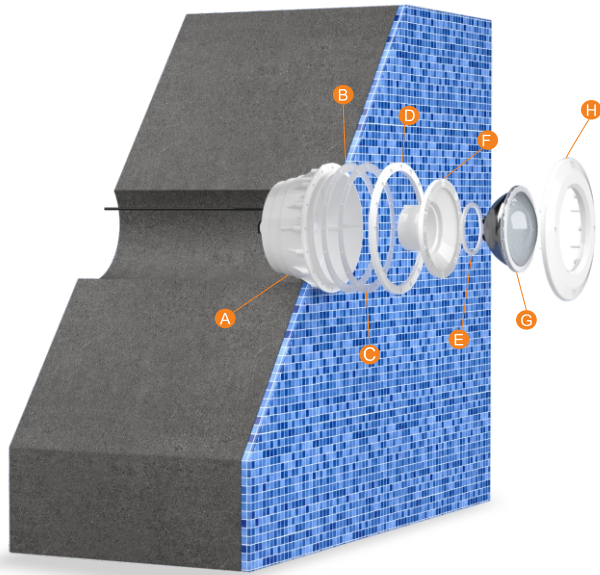
## FEATURE

- ◆ Patented design-privdte tooling/mould
- ◆ ABS
- ◆ Resin filled - IP68
- ◆ Super slim - 177\*30.5mm
- ◆ RGB synchronization
- ◆ Single color or RGB
- ◆ Remote/WIFI/DMX control applicable



Model No.	Power	Voltage	Luminous Flux	LED Type	Color
SP56-18W-B(S2835)	18±1W	12V AC/DC	1920±10%LM	SMD2835	White
SP56-18W-B(S2835)	18±1W	12V AC/DC	700±10%LM	SMD2835	RGB
SP56-25W-B(S2835)	25±1W	12V AC/DC	2200±10%LM	SMD2835	White
SP56-25W-B(S2835)	25±1W	12V AC/DC	900±10%LM	SMD2835	RGB

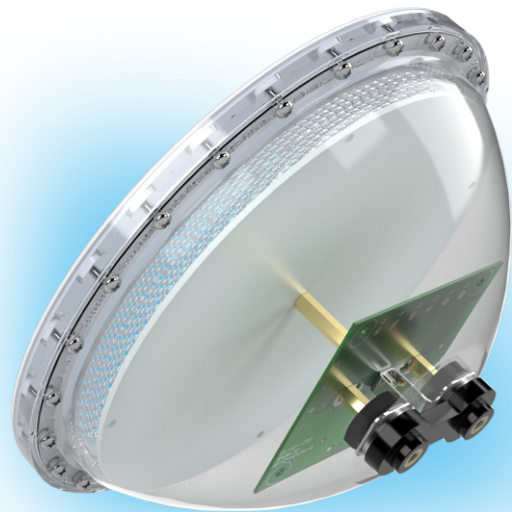
# INSTALLATION METHODS



- A: Niche
- B: Silicon gasket
- C: Silicon gasket
- D: Verge ring
- E: Lamp liner
- F: Silicon O-ring
- G: PAR56 Lamp
- H: Cover

## CAUTIONS:

1. Installation must be done by professional electricians.
2. Do NOT dismantle the product. It may be dangerous.
3. Do NOT stare at the light with naked eyes. It is harmful to eyes.



## SHENZHEN SUNDY LIGHTING CO., LTD.

Skype: sundylighting@outlook.com

Email: sales@sundylighting.com <http://www.sundylighting.com>

Address: 5F, Building A2, No.1 Minying Road, Shiyan Town, Bao'an District, Shenzhen, P. R. China.